

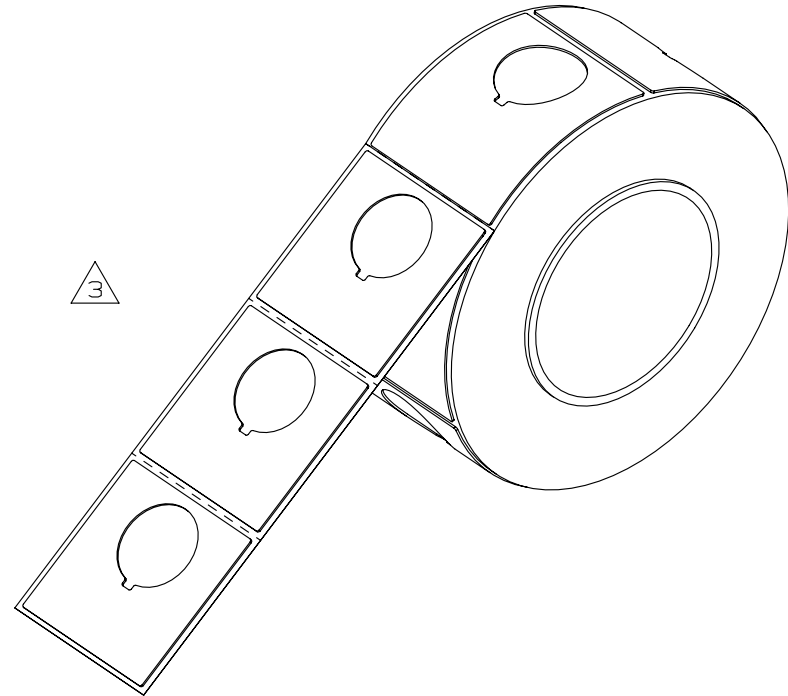
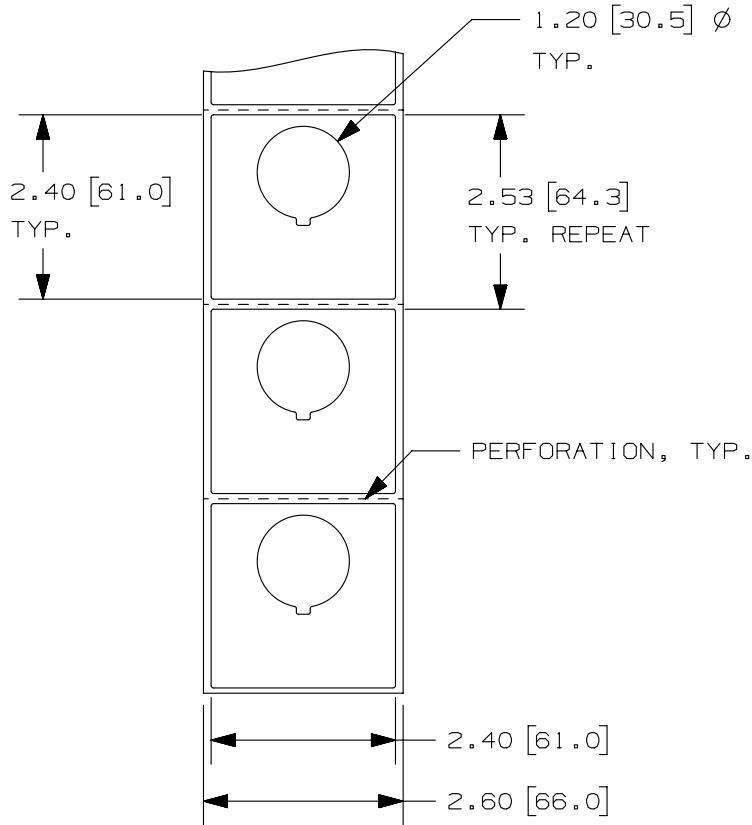
THIS COPY IS PROVIDED ON A RESTRICTED BASIS AND IS NOT TO BE USED IN ANY WAY DETRIMENTAL TO THE INTERESTS OF PANDUIT CORP.

NOTES:

1. DIMENSIONS IN [ ] ARE IN MILLIMETERS.



PANDUIT PART NO.	MATERIAL	FACE COLOR	PKG. QTY.	THICKNESS	PRODUCT TYPE
C240X240A0T-30	GMH3	BLACK	500	.030 +/- .010	POLYESTER/ FOAM COMPONENT LABEL
C240X240ABT-30		YELLOW			
C240X240APT-30	GMH3-W	WHITE			
C240X240AST-30	GMH3	GREEN			
C240X240AWT-30		RED			



REV	DATE	BY	CHK	APR	DESCRIPTION	ECN
3	1/10/13	RVU	DAPE	SEWH	ADD material column and ISO view. Update part numbers sequence list.	GAECN00514
2	1/30/09	RVU	DAPE		REMOVE "REPEAT" FROM THE LABEL SIZE. ADD DIM. PERF. VERTICAL. REMOVE C240X240AMT-22.	5592
1	1/14/09	RVU	DAPE		VOID	
0	9/5/08	RVU	DAPE	PTR	DRAWING RELEASE.	5537

TITLE		RAISED PANEL PUSH BUTTON LABELS C240X240A*T-30		
		CUSTOMER DRAWING		
ITEM REVISION NAME		100491B0/04		
DATASET FILE NAME		100491B0_DC_C10728/04D		
UNLESS OTHERWISE SPECIFIED, DIMENSIONAL TOLERANCES ARE: IN [ mm ]		MATERIAL:		
.x ± .12 [ 3.05 ] .xxx ± .025 [ .635 ]		SEE TABLE		
.xx ± .062 [ 1.57 ] ANGLES ±		DRAWING NUMBER:		
		C10728		
DRAWN BY	DATE	CHK	SCALE	SIZE
RVU	9/5/08	SCWE	NTS	A

D10100DA/12